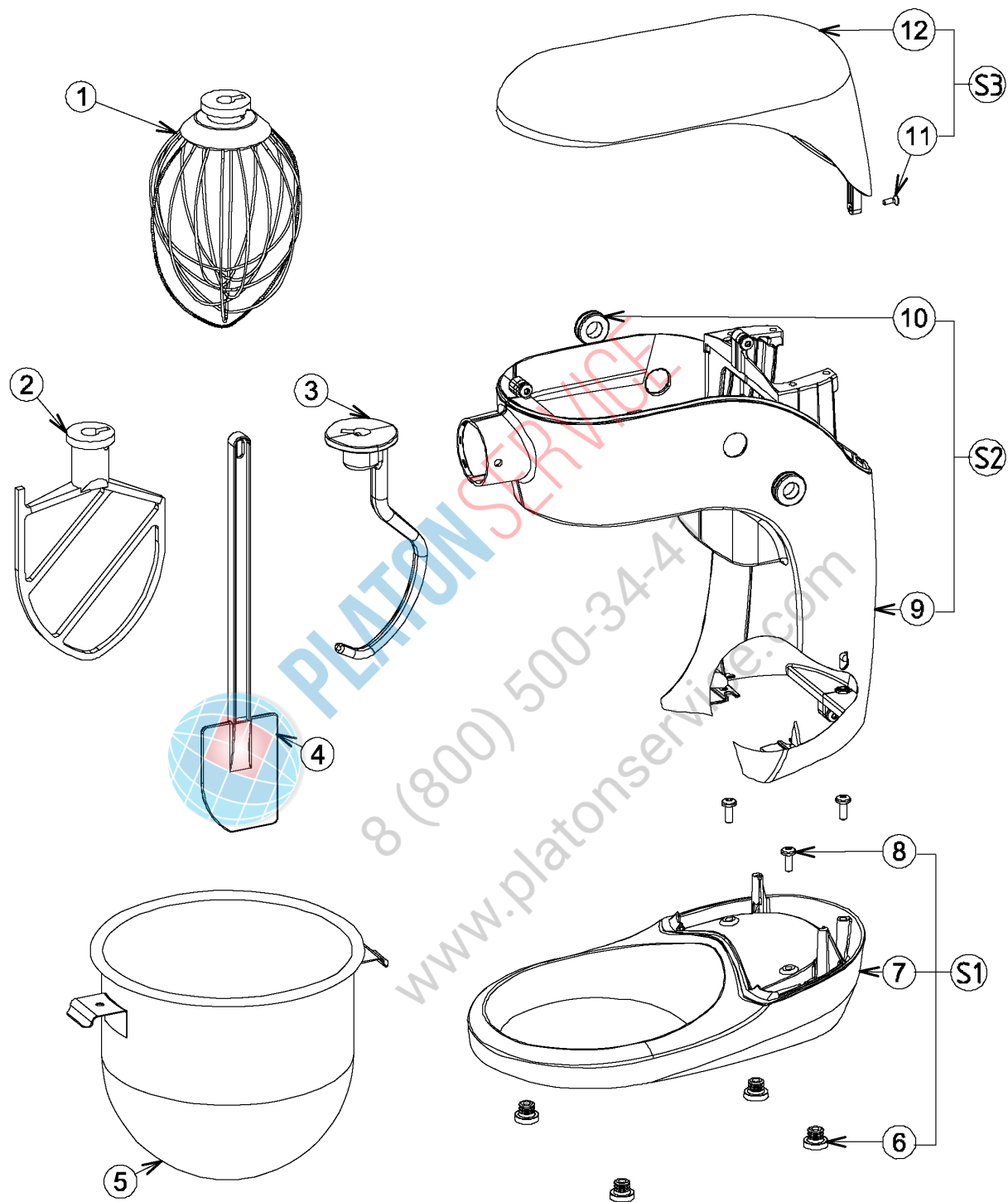


Sous-ensemble Structure / Structure sub assembly
Explosionszeichnung - Rahmen / Esploso - Struttura
Despiece - Estructura

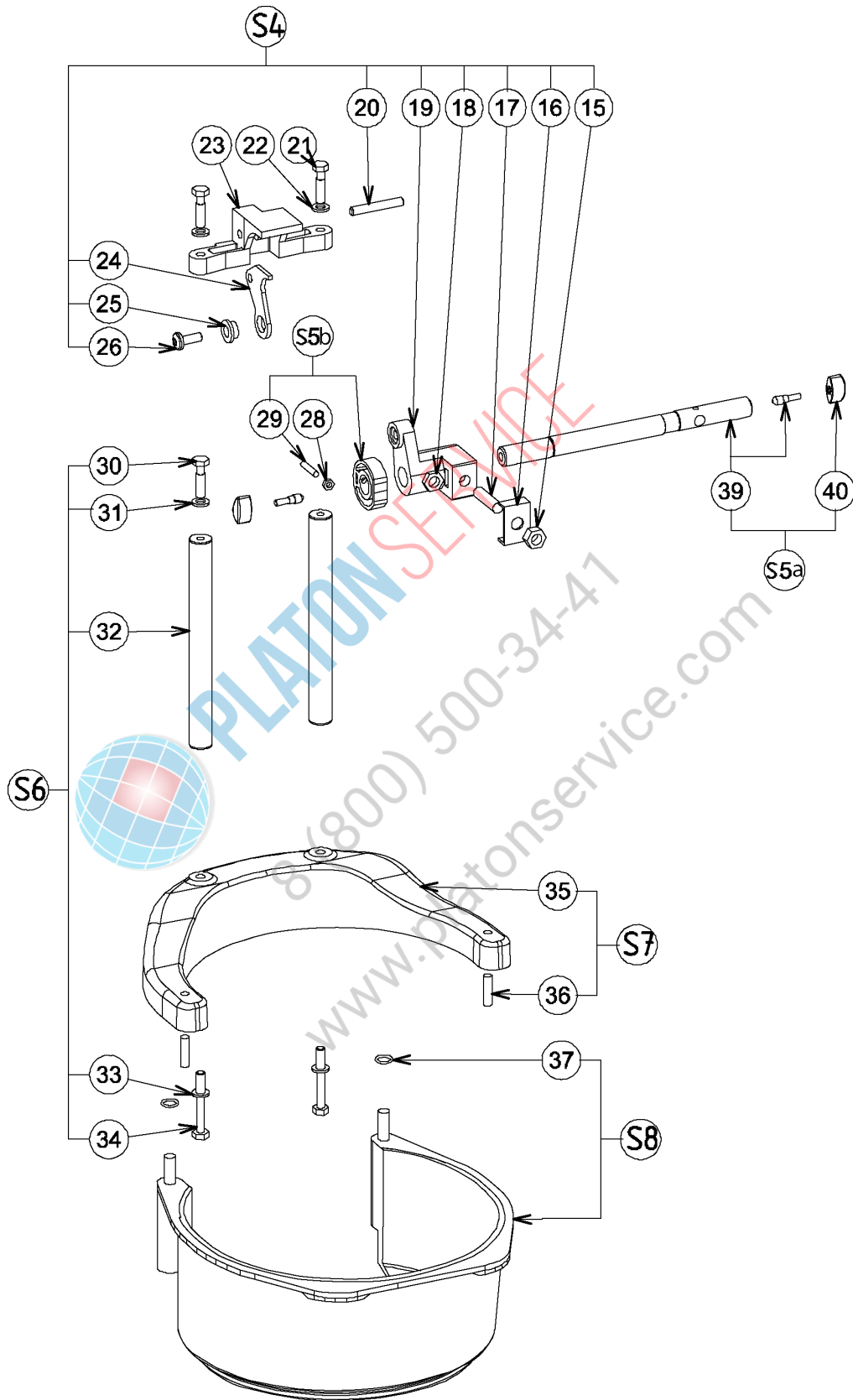


B

Ditomix 5 FR 09 04

| ?????? | 603254 | | | | | | | | |
|--------|---------|------------|--------|---|---|--|------------------------|-------------------------------------|--------|
| ?????? | SP XBE5 | ???????? 2 | | | | | Structure sub assembly | | |
| . | | Alias | | S | | | . | | (Euro) |
| 0001 | 653250 | | 653757 | | | | | WHISK FOR 5LT MIXER | |
| 0002 | 653252 | | 653756 | | | | | PADDLE FOR 5LT MIXER | |
| 0003 | 653286 | | | | | | | FLAT DOUGH HOOK FOR 5LT MIXER | 76,30 |
| 0004 | 653483 | | | | | | | SPATULA FOR 5 LT PLANETARY MIXERS | 15,46 |
| 0005 | 653508 | | | | | | | STAINLESS STEEL BOWL 5LT FOR MIXER | 192,00 |
| 0006 | 0D1609 | | | S | A | | | RUBBER FOOT; 6 PCS | 36,13 |
| 0007 | 0D3314 | | | | | | | STAND RAL9007 XBE5 | |
| 0008 | 0D3333 | | | | | | | TAPTITE SCREW TORX; SET 10PCS;M6X16 | 22,84 |
| 0009 | 000000 | | | | | | | | See S2 |
| 0010 | 0D3334 | | | | | | | GROMMET 14X20X3 XBE5 SET X2 | 37,56 |
| 0011 | 0D3335 | | | | | | | SCREW PT WN K40/12 XBE5 SET X10 | 21,82 |
| 0012 | 0D5400 | | 0D6182 | | | | | HOOD; BLUE EUROMAT XBES | |
| 0012 | 0D5946 | | | | | | | HOOD; CAPLAIN EQ XBE5 | |
| 0012 | 0D6182 | | | S | | | | | 61,61 |
| 0012 | 0D7078 | | | | | | | | |
| 00S1 | 0D3336 | | | | | | | STAND ASSY XBE5 | 93,99 |
| 00S2 | 0D3337 | | | | | | | CASING STD ASSY XBE5 | 125,90 |
| 00S3 | 0D6181 | | | | | | | | 106,60 |
| 00S3 | 0D6182 | | | S | | | | | 61,61 |
| 00S3 | 0D7079 | | | S | | | | RED COVERING; EQUIPE | 85,46 |

Sous ensemble Monte et Baisse / Bowl list sub assembly
 Explosionszeichnung - Hebe- und Senkvorrichtung _____



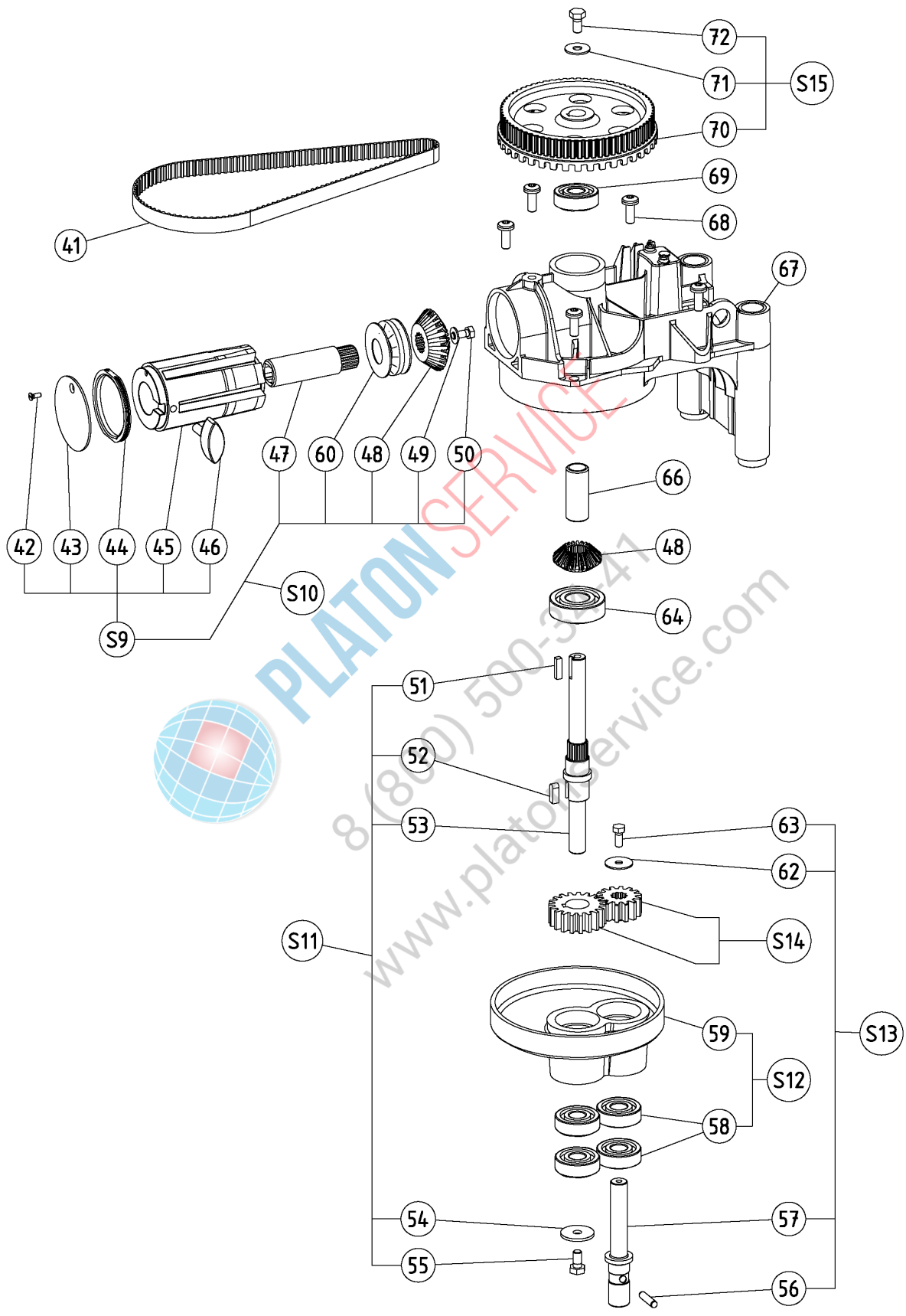
D

Ditomix 5 FR 09 04

| ?????? | 603254 | | | | | | | | |
|--------|---------|------------|--|---|---|--|---|--|--------|
| ?????? | SP XBE5 | ???????? 4 | | | | | | Bowl list sub assembly | |
| . | | Alias | | S | | | . | | (Euro) |
| 0015 | 0KQ523 | | | | | | | NUT; 10 PCS | 18,90 |
| 0016 | 0D0084 | | | | | | | B7 CAP | |
| 0017 | 0D0553 | | | | | | | SCREW; 10 PCS | |
| 0018 | 0KQ523 | | | | | | | NUT; 10 PCS | 18,90 |
| 0019 | 0D0092 | | | | | | | BE5 HANDLE | 8,12 |
| 0020 | 0D0400 | | | | | | | PIN; 10 PCS | 23,45 |
| 0021 | 0D0595 | | | | | | | SCREW; 10 PCS | 20,71 |
| 0022 | 0U0652 | | | | D | | | WASHER; 10 PCS | 19,11 |
| 0023 | 0KJ760 | | | | | | | CROSS STAY BE5 SAMIX | 7,11 |
| 0024 | 0D0090 | | | | | | | SAMIX R LINK ROD | 10,14 |
| 0025 | 0KQ331 | | | | | | | BUSHING | 3,59 |
| 0026 | 0D3333 | | | | | | | TAPTITE SCREW TORX; SET 10PCS:M6X16 | 22,84 |
| 0028 | 0D0580 | | | | | | | NUT; 10 PCS | 19,54 |
| 0029 | 0KQ526 | | | | | | | SCREW | 19,64 |
| 0030 | 0D0595 | | | | | | | SCREW; 10 PCS | 20,71 |
| 0031 | 0U0652 | | | | D | | | WASHER; 10 PCS | 19,11 |
| 0032 | 0D3306 | | | | | | | PIN XBE5 | 13,07 |
| 0033 | 0D2878 | | | | | | | WASHER SET CS L6 (X10) TR17 | 21,92 |
| 0034 | 0D0599 | | | | | | | SCREW; 10 PCS | 21,92 |
| 0035 | 0D3307 | 0D3348 | | | | | | SHOTBLASTED CRADLE XBE5 | |
| 0036 | 0D1003 | | | | | | | PIN; 5 PCS | 25,27 |
| 0037 | 0D3344 | | | | | | | O-RING 8X1.9 SET X10 | 18,80 |
| 0039 | 0D3501 | | | | D | | | GUARD PIN SEMI FITTED XBE5 | 48,42 |
| 0040 | 0D3343 | | | | S | | | BUTTON M4-8252 XBE5 SET X2 | 37,15 |
| 00S4 | 0D3345 | | | | D | | | LINK ROD CRANK HANDLE ASSY XBE5 | 78,16 |
| 00S6 | 0D3347 | | | | | | | PIN ASSY XBE5 SET X2 | 58,06 |
| 00S7 | 0D3348 | | | | | | | CRADLE ASSY XBE5 | 72,88 |
| 00S8 | 0KJ767 | | | | | | | SAFETY GUARD | 64,35 |
| 0S5a | 0D3346 | | | | | | | GUARD PIN ASSY XBE5 | 67,60 |
| 0S5b | 0D0868 | | | | | | | SAFETY SWITCH + CAM | 30,86 |

Sous-ensemble Mécanique / Mechanical sub assembly

Explosionszeichnung - Antrieb



H

Ditomix 5 FR 03 08

| ?????? | | 603254 | | | | | | | | | |
|--------|--------|---------|--------|------------|---|-------------------------|---|--|--|--|--------|
| ?????? | | SP XBE5 | | ???????? 8 | | Mechanical sub assembly | | | | | |
| . | | Alias | | S | | | . | | | | (Euro) |
| 0041 | 0D3305 | | | S | A | | | | NOTCHED BELT 230XL050 | | 9,70 |
| 0042 | 0D0938 | | | | | | | | SCREW; 10 PCS | | 19,54 |
| 0043 | 0D5947 | | | | | | | | COVERING; OPERCULE MICROBILLE XBE5 | | 18,90 |
| 0044 | 0D3299 | | | | | | | | ACCSSRY SOCKT SEAL XBE5 | | 4,20 |
| 0045 | 0D5160 | | | | | | | | ACCESSRY SOCKET SLEEVE XBE5 | | 58,57 |
| 0046 | 0D3313 | | | | D | | | | BUTTON CT476/30S P M6X20 108364 | | 33,09 |
| 0047 | 0D3312 | | | | D | | | | ACCSSRY SOCKT SHAFT TYPE K XBE5 | | 21,11 |
| 0048 | 0KQ421 | | | S | A | | | | BEVEL GEAR SAMIX R | | 35,83 |
| 0049 | 0D0546 | | | | | | | | WASHER; 10 PCS | | 18,17 |
| 0050 | 0D0537 | | | | | | | | SCREW; 10 PCS | | 19,22 |
| 0051 | 0D0552 | | | S | | | | | SPANNER; 4X4X16; SET 5PCS | | 19,33 |
| 0052 | 0D0635 | | | | | | | | WASHER 5X5X14 | | 19,85 |
| 0053 | 0D3303 | | | | | | | | SUN GEAR SHAFT XBE5 | | 27,30 |
| 0054 | 0D0620 | | | | | | | | BM10 WASHER 24X6.2X2; 10 PCS | | 44,86 |
| 0055 | 0KQ494 | | | | | | | | SCREW; 10 PCS | | 20,27 |
| 0056 | 0D0396 | | | | | | | | PIN; 10 PCS | | 27,91 |
| 0057 | 0D1830 | | | | | | | | | | 26,80 |
| 0058 | 0D5346 | | 0D7113 | | | | | | BEARING; 6201 DDU BE5 | | |
| 0059 | 0D3315 | | | | D | | | | SHOTBLASTED PLANETARY XBE5 | | 38,87 |
| 0060 | 0D6458 | | | | | | | | BUTEE A AIGUILLES; 17-30 | | 19,74 |
| 0062 | 0D0501 | | | | | | | | WASHER; 10 PCS | | 19,54 |
| 0063 | 0D0537 | | | | | | | | SCREW; 10 PCS | | 19,22 |
| 0064 | 0D5458 | | 0KJ007 | | | | | | BEARING; 6203 DDU | | |
| 0066 | 0D3304 | | | | | | | | ACCSSRY SOCKT SPACER XBE5 | | 4,58 |
| 0067 | 0D3294 | | | S | | | | | MECHANICAL SUPPORT XBE5 | | 56,03 |
| 0068 | 0D3333 | | | | | | | | TAPTITE SCREW TORX; SET 10PCS:M6X16 | | 22,84 |
| 0069 | 0D5346 | | 0D7113 | | | | | | BEARING; 6201 DDU BE5 | | |
| 0070 | 0D1831 | | 0KQ582 | | | | | | | | |
| 0071 | 0D0513 | | | | | | | | WASHER; 10 PCS | | 18,58 |
| 0072 | 0KQ494 | | | | | | | | SCREW; 10 PCS | | 20,27 |
| 00S9 | 0D3349 | | | | | | | | ACCSSRY SOCKT BARREL ASSY XBE5 | | 71,76 |
| 0S10 | 0D3350 | | | | | | | | ACCSSRY SOCKT K ASSY XBE5 | | 112,70 |
| 0S11 | 0D3351 | | | | | | | | SUN GEAR SHAFT ASSY XBE5 | | 61,20 |
| 0S12 | 0D3352 | | | S | | | | | PLANETARY ASSY XBE5 | | 105,60 |
| 0S13 | 0D0341 | | | S | | | | | BE5 TOOL HOLDER SHAFT ASSY. | | 57,45 |
| 0S14 | 0D0871 | | | S | A | | | | PLANETARY PINION; KIT; SAMIX R | | 38,27 |

| | | | | | | | | | |
|--------|---------|--------------|--|----------|--|--|---------------------------------|--|------------------------|
| ?????? | 603254 | | | | | | | | |
| ?????? | SP XBE5 | ???????? 8 | | | | | Mechanical sub assembly | | |
| . | | Alias | | S | | | . | | |
| 0S15 | 0KQ582 | | | S | | | DRIVEN PULLEY WITH SCREW BE5 | | (Euro) 38,67 |

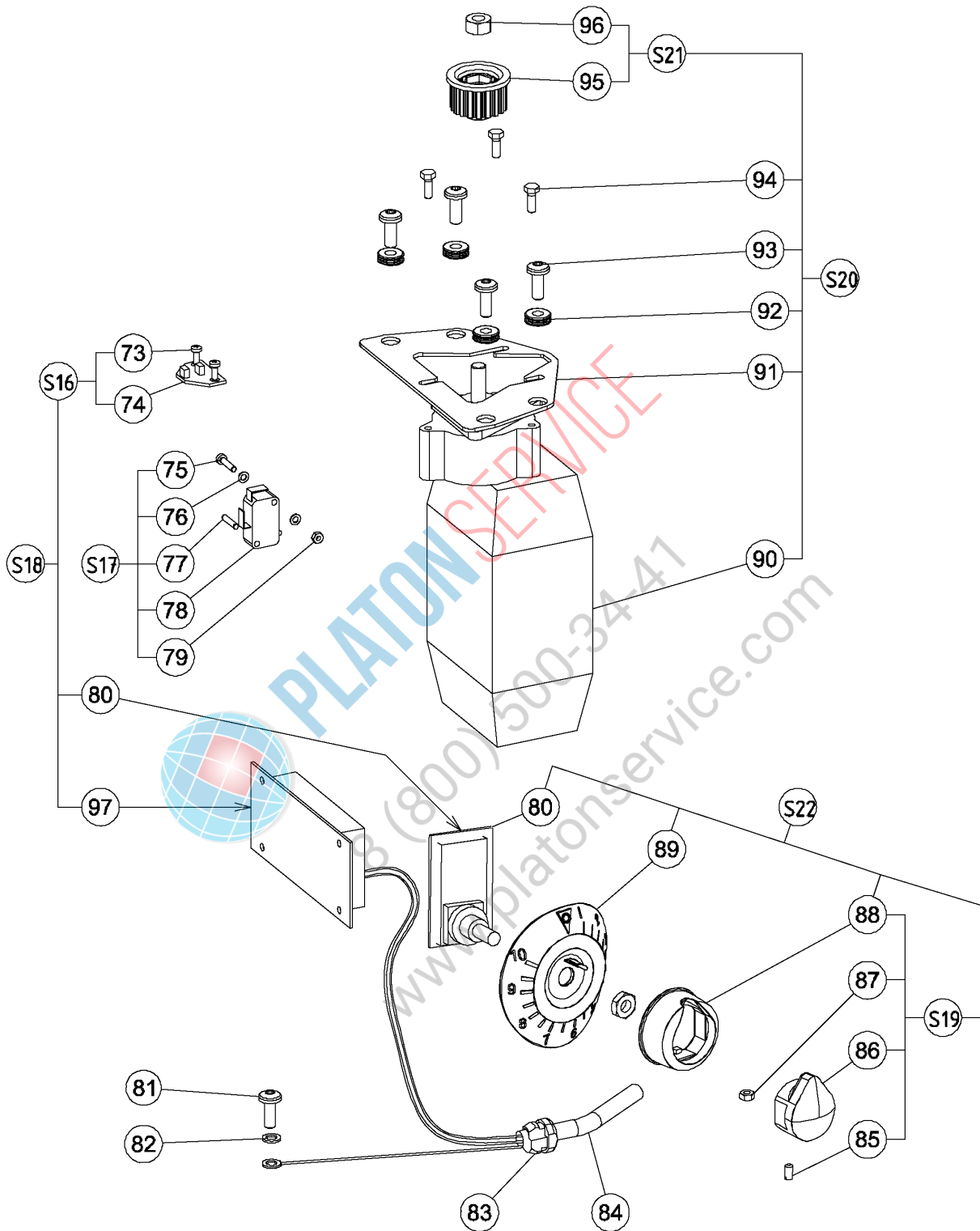


PLATON SERVICE

8 (800) 500-34-47

www.platonservice.com

Sous ensemble électrique - Electrical sub assembly / Explosionszeichnung Elektrik



L

Ditomix 5 FR 09 04

| ?????? | 603254 | | | | | | | | |
|--------|---------|----------|--------|---|---|--|---|-------------------------------------|--------|
| ?????? | SP XBE5 | ???????? | 12 | | | | | Electrical sub assembly | |
| . | | Alias | | S | | | . | | (Euro) |
| 0073 | 0D2918 | | | | | | | SCREW PT WN 1442 K30/8 (SET X10) | 21,42 |
| 0074 | 0D3318 | | | | | | | SPEED READER XBE5 | 9,34 |
| 0075 | 0KQ511 | | | | | | | SCREW; 10 PCS | 18,37 |
| 0076 | 0D2877 | | | | | | | WASHER GALVA STL3 SET X10 | 17,92 |
| 0077 | 0KQ479 | | | S | | | | PEG; 10 PCS | 22,43 |
| 0078 | 000000 | | | | | | | See S17 | |
| 0079 | 033987 | | | | | | | SCREW; 10 PCS | 18,27 |
| 0080 | 0D5161 | | | S | | | | POWER BOARD | 78,56 |
| 0081 | 0D3333 | | | | | | | TAPTITE SCREW TORX; SET 10PCS;M6X16 | 22,84 |
| 0082 | 0D0530 | | | | | | | WASHER; 10 PCS | 18,17 |
| 0083 | 0D3566 | | | | | | | GROMMET SR 6P3 4 (SET X5) | 25,48 |
| 0084 | 0D3310 | | | S | | | | CABLE H05 LG1700 + PLUG 2P +E | 10,24 |
| 0084 | 0D5948 | | | | D | | | CORD WITH PLUG; UK + COSSE XBE5 | 27,30 |
| 0084 | 0D5949 | | | | D | | | CORD WITH PLUG; USA + COSSE XBE5 | 25,07 |
| 0085 | 0KQ526 | | | | | | | SCREW | 19,64 |
| 0086 | 0D1611 | | | S | | | | KNOB; POTENTIOMETER | 3,59 |
| 0087 | 0KL159 | | | | | | | NUT; 10 PCS | 18,37 |
| 0088 | 0D3298 | | | S | | | | BUTTON CLADDING UNIVERSEL | 5,04 |
| 0089 | 0D3300 | | | | | | | POTENTIOMETER BASE XBE5 | 3,74 |
| 0090 | 0D3411 | | 0D7271 | | | | | MOTOR; 230V 50HZ; XBE55 | |
| 0090 | 0D5403 | | | | D | | | MOTOR; 100V USA/JAPON XBE5 | |
| 0091 | 0D3302 | | | | | | | MOTOR SUPPORT XBE5 | 5,49 |
| 0092 | 0D3410 | | | | | | | GROMMET 7X10X1.4 XBE5 SET X4 | 35,63 |
| 0093 | 0D3333 | | | | | | | TAPTITE SCREW TORX; SET 10PCS;M6X16 | 22,84 |
| 0094 | 0D3027 | | | | | | | TAPTITE SCREW H M4X12 (SET X 10) | 20,26 |
| 0095 | 0D2523 | | | S | | | | DRIVE PULLEY 19 TEETH ECO/ XBE5 | 3,36 |
| 0096 | 0D0642 | | | | | | | NUT; 10 PCS | 19,85 |
| 0097 | 0D3317 | | | S | | | | POWER CARD; XBE5 | 69,43 |
| 0S16 | 0D3407 | | | | A | | | SPEED READER ASSY XBE5 | 38,47 |
| 0S17 | 0D0868 | | | | | | | SAFETY SWITCH + CAM | 30,86 |
| 0S18 | 0D1603 | | | S | A | | | PCB; ASS. | 150,20 |
| 0S19 | 0D1610 | | | S | | | | KNOB; COMPL. | 36,74 |
| 0S20 | 0D3409 | | | S | | | | MOTOR; 200-240V; XBE5 | 165,40 |
| 0S20 | 0D3530 | | | | D | | | COMPLETE MOTOR 100-120V XBE5 | |
| 0S21 | 0D0862 | | | | | | | SAMIX R DRIVE PULLEY ASSY. | 26,59 |
| 0S22 | 0D3594 | | | S | A | | | POTENTIOMETER + BUTTON ASSY XBE5 | 71,05 |